



 herckē[®]
SERIES 7EVEN[®]

ASSEMBLY INSTRUCTIONS

Storage Cabinet Case

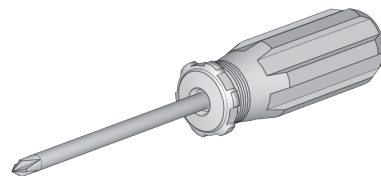
24", 30", 54"

Assembly Instructions Overview

Please read this brief overview before assembling your Hercke Series 7even system. What follows is an outline of the order in which your assembly process needs to occur.

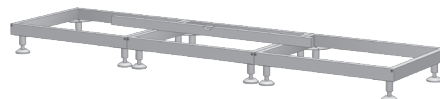
1

A Phillips head N0. 2 screwdriver is the only tool required to assemble Hercke® Series 7even® products. Depending on your installation requirements, other tools that may be helpful include a level, power drill and drill bits.



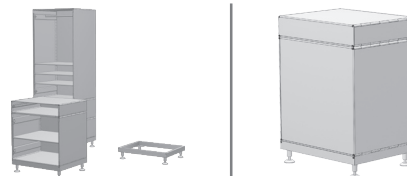
2

Assemble all platforms. Place platform in the desired location. Level each platform and make sure all platforms are level together.



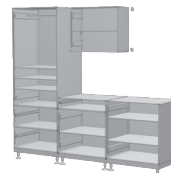
3

Pull platform out allowing yourself room to get behind the platform. Assemble cases. Stack cases and drawers on platforms in a single stack. Add Single E-Clips to the backside of cases and drawers. Slide the stack back into their final level position.



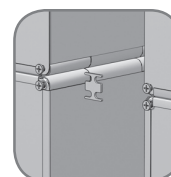
4

Assemble Overhead Storage Cases. Select overhead cabinet placement. Attach case using Wall Mount System or Channel Mount System.



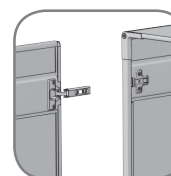
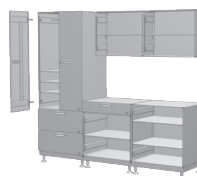
5

Fasten Single and Double E-Clips to adjoin cases and drawer modules.



6

Snap door hinges to case hinge plates and adjust door positions.



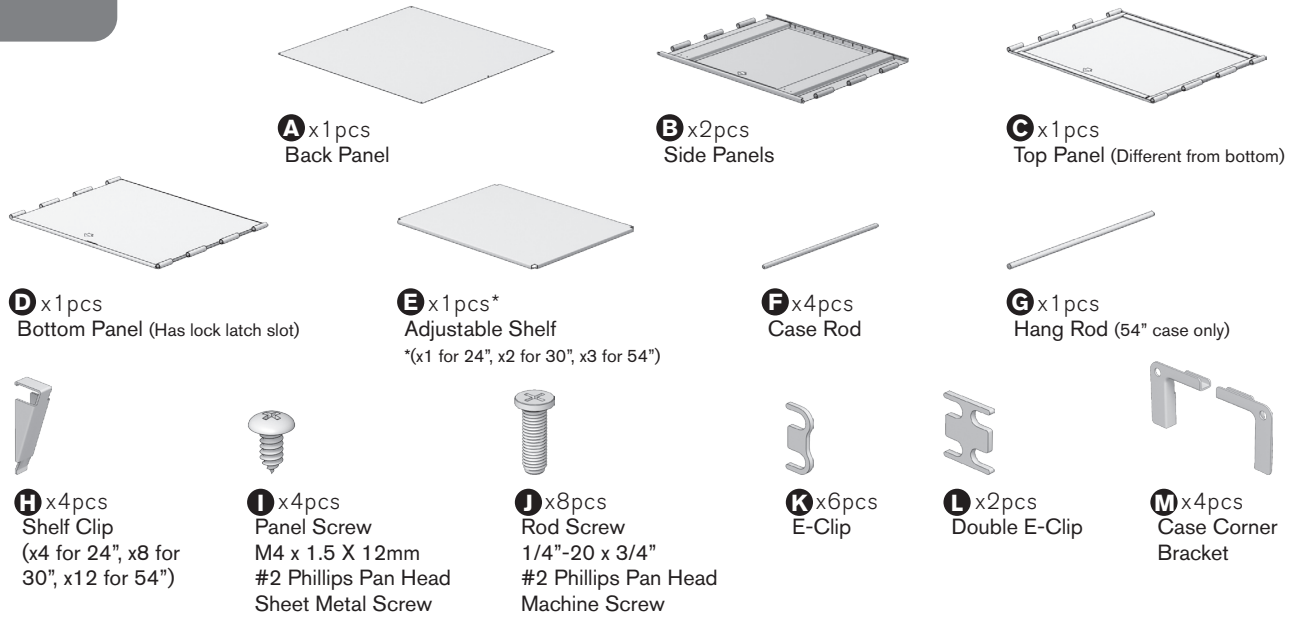
7

Attach work surface.

Chaos Defeated. Order Restored.

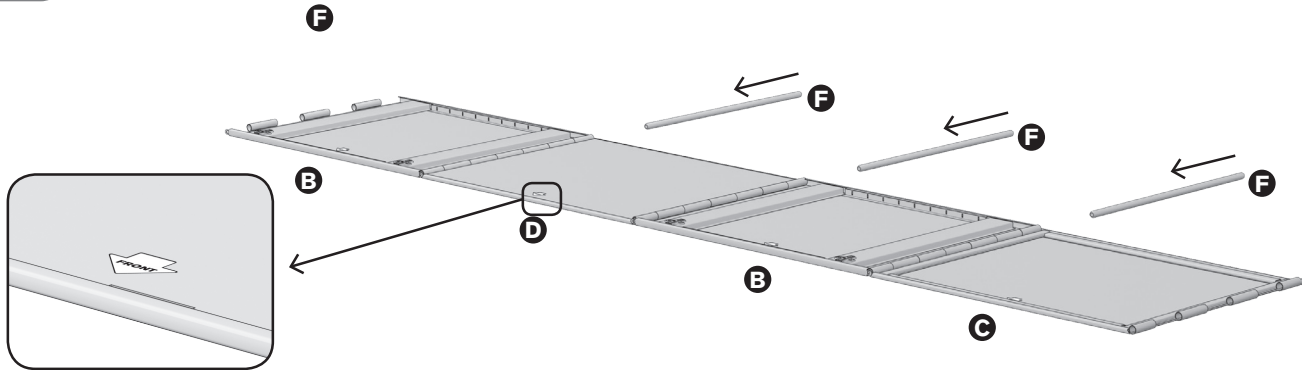


PARTS



1

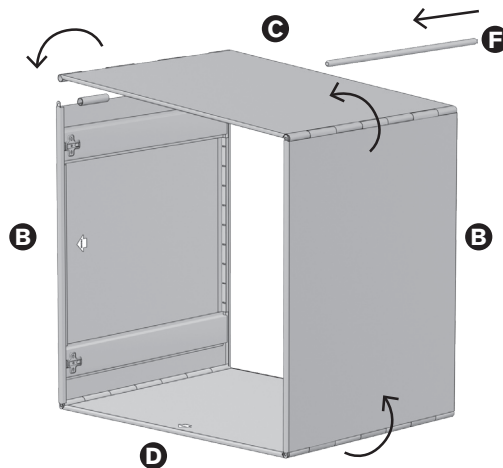
A Assemble cabinet case by interlocking Panels **B**, **C** and **D** as demonstrated below. Make sure front arrows on all Panels are facing the same direction.



2

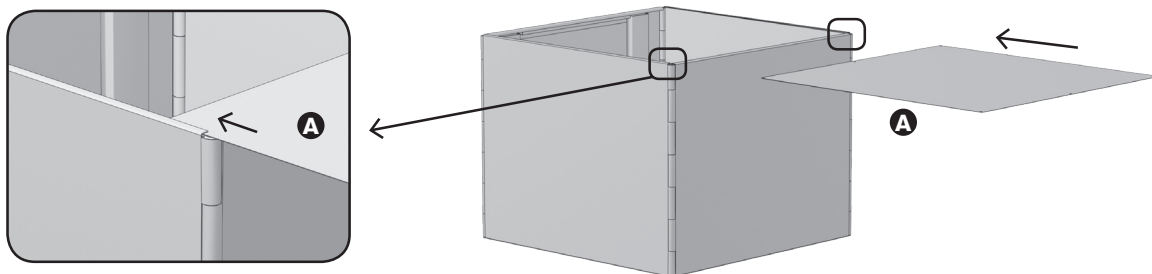
A Lift and fold hinged case as demonstrated below.

B Insert final Case Rod **F** into hinge cylinder.



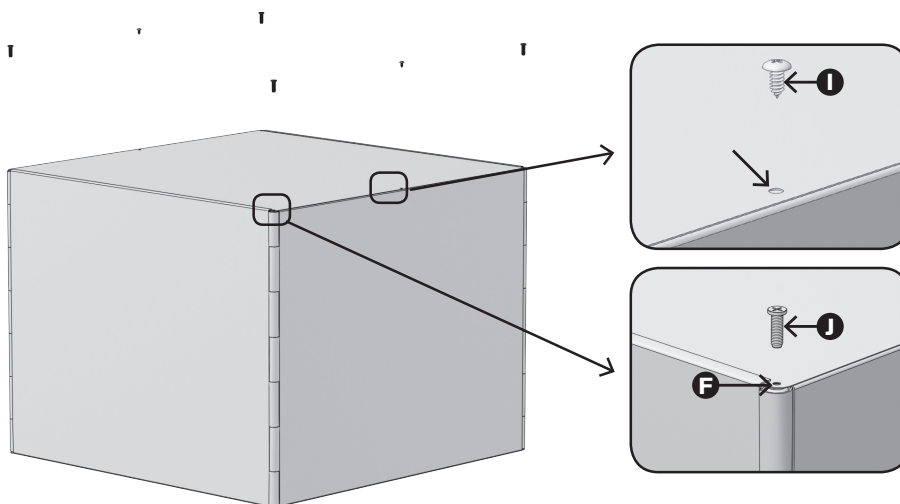
3

- A** Tip assembled case front (front arrows) side down.
- B** Insert Back Panel **A** under both the top and bottom metal tabs as demonstrated below. Once the Back Panel **A** is inserted pull the piece through slightly upward.
- C** Align holes in Back Panel **A** with holes on cabinet case Panels and Case Rods.



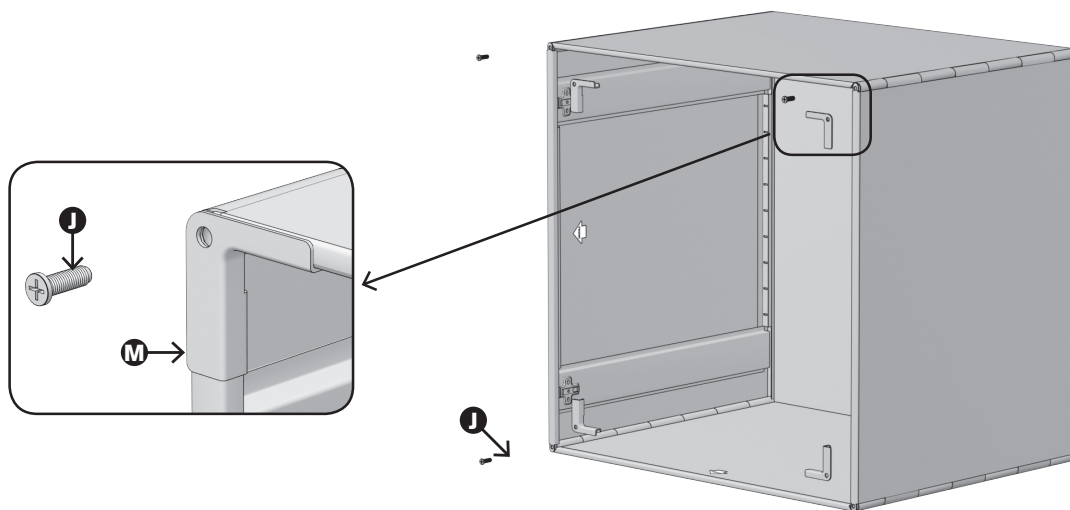
4

Fasten Back Panel **A** with the Panel Screws **I** and the Rod Screws **J** in each of the Case Rods **F**.



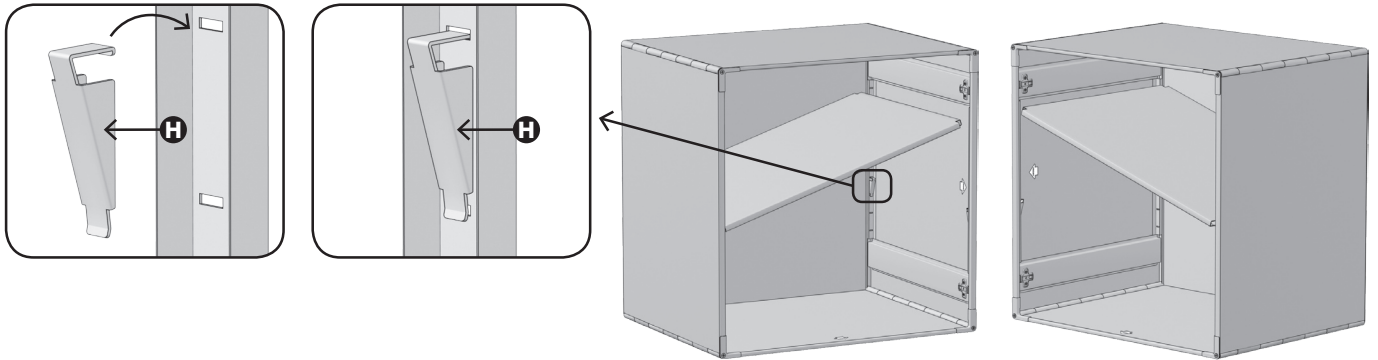
5

- A** Insert Case Corner Brackets **M** into the cabinet case corners on the front side of the case.
- B** Attach using Rod Screws **J** in each of the four corners.



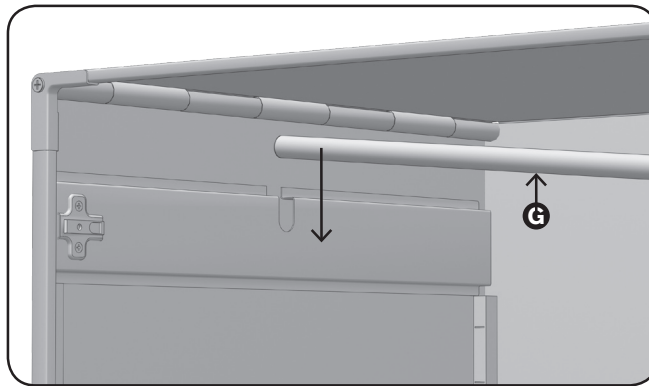
6

- A** Insert Shelf Clip **H** into the inside of case at desired shelf height.
- B** Place adjustable shelf **E** into case, making sure it is firmly supported by the shelf clips.



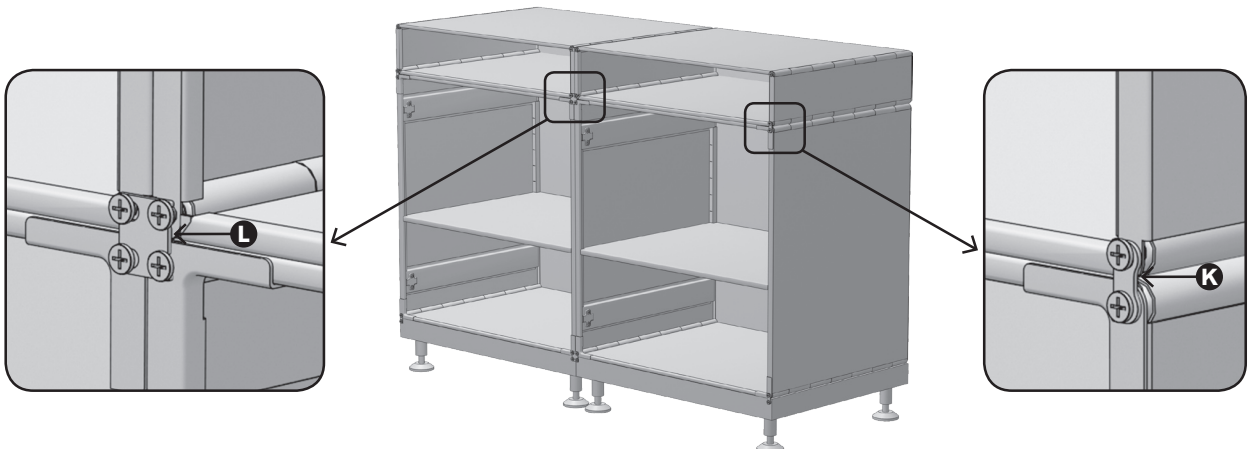
7

- Place hanging rod **G** into case and secure into slot as illustrated below. 54" case only.



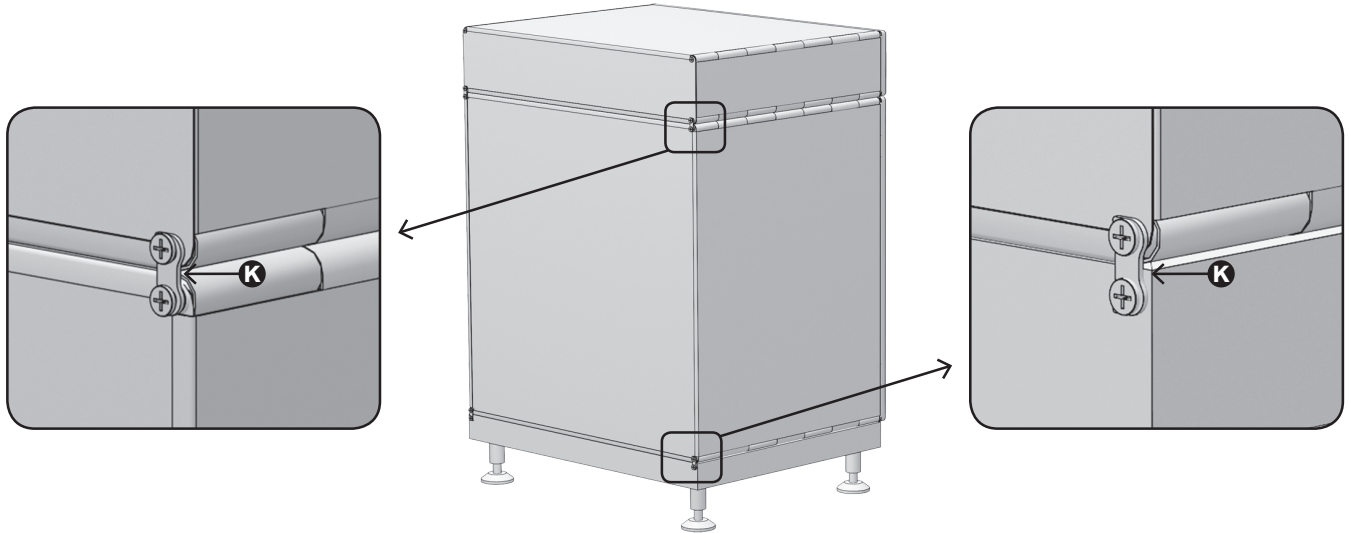
8_A

- A** Before attaching doors fasten Single E-Clips **K** and Double E-Clip **L** which will link vertically and horizontally stacked units as illustrated. (use as needed)
- B** Loosen screws and place clip flush with cabinet case.
- C** Tighten screws to fasten units in place.



8_B

- A** Fasten Single E-Clip **K** which will link vertically stacked units as illustrated. (use as needed)
- B** Loosen screws and place clip flush with cabinet case.
- C** Tighten screws to fasten units in place.



CLEANING AND CARE

Clean stainless steel surfaces using dry soft cotton cloth and stainless steel polish, buffing vertically with the line finish of the stainless steel.

Clean painted surfaces and coated surfaces using a mild dish soap and warm water solution. **DO NOT** use abrasive cleaners, glass cleaners, solvent based cleaners or furniture polish.



www.hercke.com | 855.344.2009

Please visit www.hercke.com for more information.