

 **herckē**  
SERIES 7EVEN®

ASSEMBLY INSTRUCTIONS

# Wall Mount System

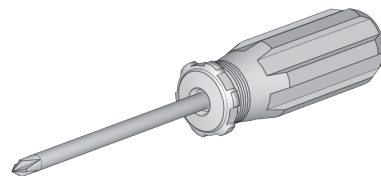
---

# Assembly Instructions Overview

Please read this brief overview before assembling your Hercke Series 7even system. What follows is an outline of the order in which your assembly process needs to occur.

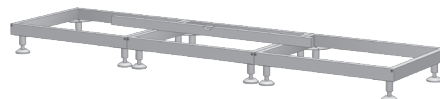
**1**

A Phillips head N0. 2 screwdriver is the only tool required to assemble Hercke® Series 7even® products. Depending on your installation requirements, other tools that may be helpful include a level, power drill and drill bits.



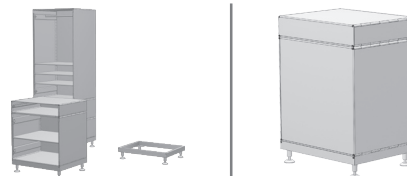
**2**

Assemble all platforms. Place platform in the desired location. Level each platform and make sure all platforms are level together.



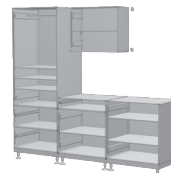
**3**

Pull platform out allowing yourself room to get behind the platform. Assemble cases. Stack cases and drawers on platforms in a single stack. Add Single E-Clips to the backside of cases and drawers. Slide the stack back into their final level position.



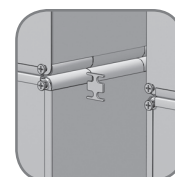
**4**

Assemble Overhead Storage Cases. Select overhead cabinet placement. Attach case using Wall Mount System or Channel Mount System.



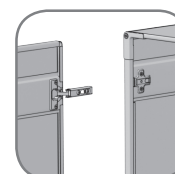
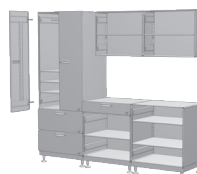
**5**

Fasten Single and Double E-Clips to adjoin cases and drawer modules.



**6**

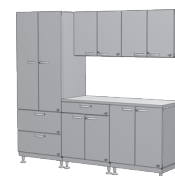
Snap door hinges to case hinge plates and adjust door positions.



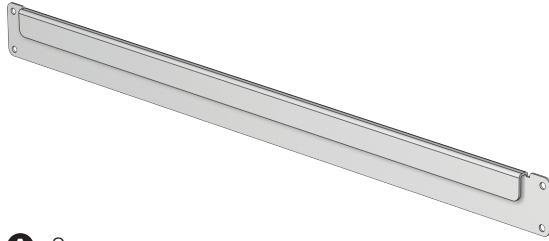
**7**

Attach work surface.

Chaos Defeated. Order Restored.



## PARTS



**A** x2pcs  
J Track



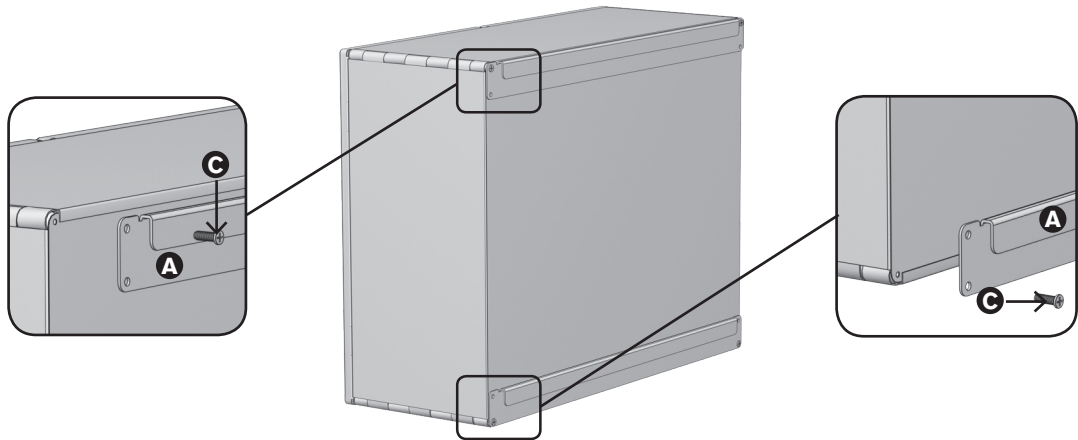
**B** x4pcs  
Z Bracket



**C** x8pcs  
#8 x 3/4" 2 Phillips Pan  
Head Screw

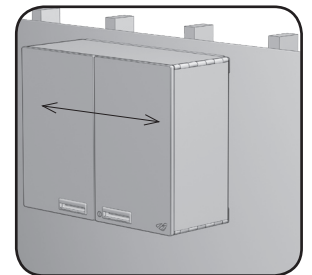
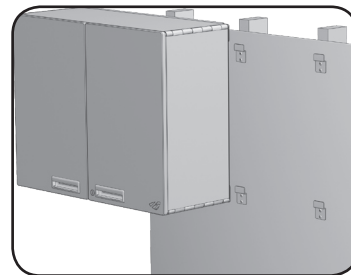
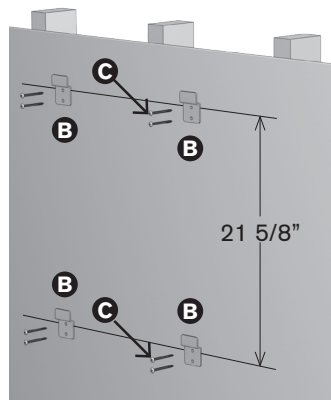
# 1

- A** Remove 4 rod screws on back panel.
- B** Attached J track **A** with 2 of the existing rod screws to top of case using the upper hole of the J bracket **A**. Repeat step for the lower J track **A** attachment using the lower hole of the J bracket.



# 2

- A** The instructions and screws provided are for wood framed wall applications only. If you are attaching the Wall Mount System to other types of wall materials please consult with an anchor hardware supplier for the appropriate anchoring system.
- B** Draw a level line on wall surface where you would like to place the top hole of the upper Z brackets **B**. Draw a parallel line 21-5/8" below the upper Z bracket **B** line for the top hole location of lower Z brackets **B**. Locate the wood studs and mark top hole location for each Z bracket **B**. Using the Z bracket **B** as a template, align the top hole at the marked locations and mark the lower hole location.
- C** Drill a 3/16" hole through the wall surface into the wood stud for each hole location. Attach the Z brackets **B** using the (8) #8 x 3/4" #2 Phillips pan head screws **C** provided. Make sure all screws are securely fastened.
- D** Lift and hang the cabinet onto the (4) securely attached Z brackets **B**. Slide cabinet left or right as necessary. Repeat these steps for additional Wall Mount Systems.



## CLEANING AND CARE

Clean stainless steel surfaces using dry soft cotton cloth and stainless steel polish, buffing vertically with the grain of the stainless steel.

Clean painted surfaces using a mild soap and water solution. **DO NOT** use abrasives, **DO NOT** use solvents, glass cleaners, solvent based cleaners or furniture polish.



[www.hercke.com](http://www.hercke.com) | 855.344.2009

Please visit [www.hercke.com](http://www.hercke.com) for more information.